

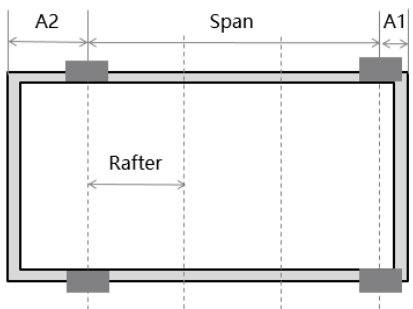
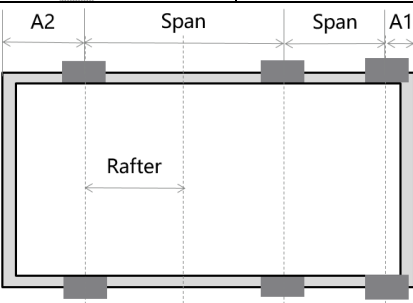
ANNEX E: Mounting Method Clamping for KuLite & HiKuLite

This document applies **only** to KuLite and HiKuLite, special lightweight option for standard CS3K-P and CS3L-MS products respectively.

- Please refer to the installation manual for how to install the standard version CS3K-P and CS3L-MS.
- For conditions other than the following mounting range, be sure to observe the installation manual and comply with them.
- In order not to void the product warranty, KuLite module CS3K-P and HiKuLite module CS3L-MS-L shall not be installed in the region with high probability of hail stones with a diameter bigger than 35mm. Please contact Canadian Solar local technical support if you still have further concern about hail risk.
- There are two installation methods are shown below, you could use rail as support bar or rail-less clamping. If you have any questions, please contact our technical support.

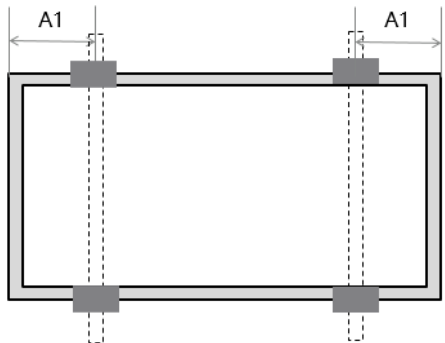
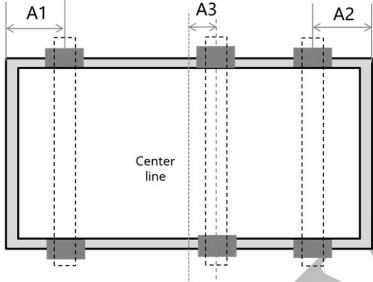
➤ Rail-less clamping mounting method

KuLite CS3K-P and HiKuLite CS3L-MS-L

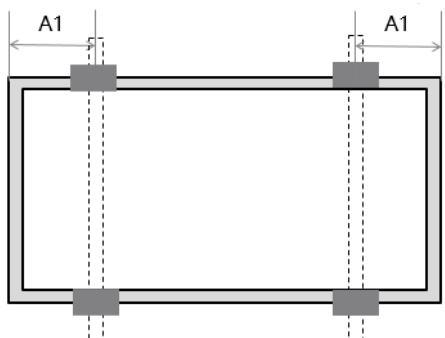
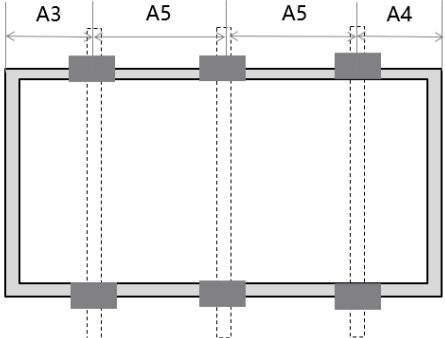
				
Product	A1, A2	Span	Downforce	Uplift
KuLite CS3K-P	235-440mm	/	2400Pa	2400Pa
HiKuLite CS3L-MS-L	220-460mm	/	2400Pa	2400Pa
	130-635mm	1000mm	1400Pa	1700Pa
				
Product	A1, A2	Span	Downforce	Uplift
KuLite CS3K-P & HiKuLite CS3L-MS-L	20-400mm	400/800mm	3000Pa	2400Pa
		500/500mm		
		500/1000mm		
		600/600mm		
HiKuLite CS3L-MS-L	130-635mm	500/500mm	2000Pa	2100Pa

➤ Clamping method with rail supporting bar

KuLite CS3K-P

 <p>Use four clamps on the long side. Mounting rails run parallel to the long side frame.</p>	 <p>Use six clamps on the long side. Mounting rails run perpendicularly to the long side frame.</p>
<p>A1 range = (235–440) mm Maximum Load: Uplift load \leq 2400 Pa Downforce load \leq 2400 Pa</p>	<p>A1 range = (240–350) mm A2 range = (240–350) mm A3 range = 50 ± 10 mm Maximum Load: Uplift load \leq 2400 Pa Downforce load \leq 3600 Pa</p>

HiKuLite CS3L-MS-L

 <p>Use four clamps on the long side. Mounting rails run parallel to the long side frame.</p>	 <p>Use six clamps on the long side. Mounting rails run perpendicularly to the long side frame.</p>
<p>A1 range = (240–330) mm Maximum Load: Uplift load \leq 2400 Pa Downforce load \leq 2400 Pa</p>	<p>A3,A4 range = (140–440) mm Maximum Load: Uplift load \leq 2400 Pa Downforce load \leq 3600 Pa</p>

MECHANICAL AND ELECTRICAL RATINGS

Standard Test Conditions are: Irradiance of 1000 W/m², AM1.5 spectrum, and cell temperature of 25°C. The electrical characteristics are respectively within ±10% or [0; +5W] of the indicated values for Isc, Voc and Pmax. Specifications are subject to change without notice.

Mechanical and electrical ratings under STC

Model Type	Maximum power Pmax <W>	Operating voltage Vmp <V>	Operating current Imp <A>	Open Circuit Voltage Voc <V>	Short Circuit Current Isc <A>	Max. Series Fuse Rating <A>	Overall Dimension <mm>	Weight <Kg>
CS3K-250P	250	30.0	8.34	36.7	8.98	30	1675 X 992 X 35 mm (65.9 X 39.1 X 1.38 in)	Kulite module 12.5 kg (27.6 lbs)
CS3K-255P	255	30.2	8.45	36.9	9.06	30		
CS3K-260P	260	30.4	8.56	37.1	9.14	30		
CS3K-265P	265	30.6	8.66	37.3	9.22	30		
CS3K-270P	270	30.8	8.77	37.5	9.30	30		
CS3K-275P	275	31.0	8.88	37.7	9.38	30		
CS3K-280P	280	31.2	8.98	37.9	9.47	30		
CS3K-285P	285	31.4	9.08	38.1	9.56	30		
CS3K-290P	290	32.3	8.98	38.9	9.49	30		
CS3K-295P	295	32.5	9.08	39.1	9.57	30		
CS3K-300P	300	32.7	9.18	39.3	9.65	30		
CS3K-305P	305	32.9	9.28	39.5	9.73	30		
CS3K-310P	310	33.1	9.37	39.7	9.81	30		
CS3K-315P	315	33.3	9.46	39.9	9.89	30		
CS3K-320P	320	33.5	9.56	40.1	9.97	30		
CS3K-325P	325	33.7	9.65	40.9	10.21	30		
CS3K-330P	330	33.9	9.74	41.1	10.29	30		
CS3K-335P	335	34.1	9.83	41.3	10.37	30		
CS3K-340P	340	34.3	9.92	41.5	10.45	30		
CS3K-345P	345	34.5	10.00	41.7	10.52	30		
CS3K-350P	350	34.7	10.09	41.9	10.60	30		
CS3L-355MS-L	355	33.5	10.61	40.2	11.33	20	1765 X 1048 X 35 mm (69.5 X 41.3 X 1.38 in)	16.2 kg (35.7 lbs)
CS3L-360MS-L	360	33.7	10.69	40.4	11.40	20		
CS3L-365MS-L	365	33.9	10.78	40.6	11.47	20		
CS3L-370MS-L	370	34.1	10.86	40.8	11.54	20		
CS3L-375MS-L	375	34.3	10.94	41.0	11.61	20		
CS3L-380MS-L	380	34.5	11.02	41.2	11.68	20		

- The recommended maximum series fuse rating is stated in table above.